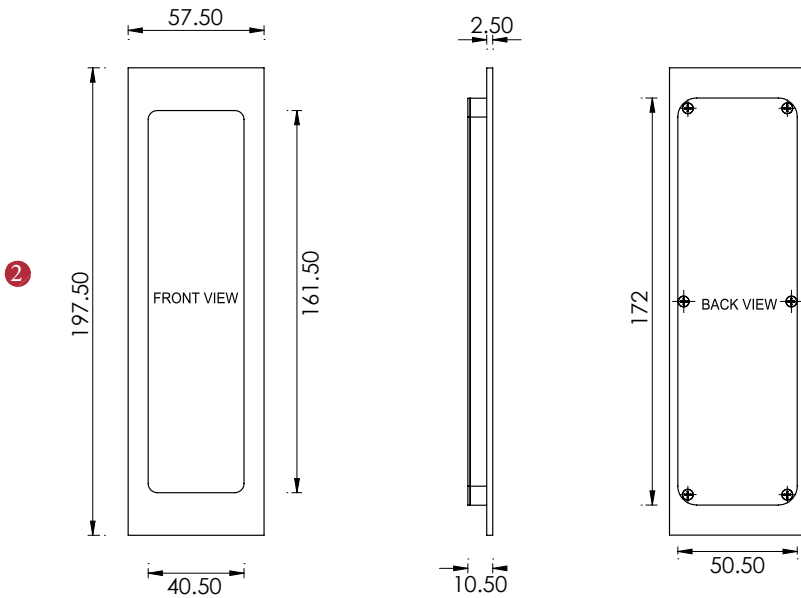



C1872 FLUSH PULL HANDLE



The recess measurement required to fit this item is taken from the back

② Dimensions: see the outlines given above

③  2 x Grub Screws
M4 x 7.6mm Slotted Head Cone Point

FITTING

- 1 Position flush pull centrally to determine where to remove required recess for flush pull. This measurement is taken from the back view.
- 2 Remove just sufficient timber to create a recess for the back of the flush pull and which allows the plate to lie flat onto the surface of the door.
- 3 The door may dictate where the pull can be fitted, as general guide for fitting, the centre of the pull should be positioned approx. 1000mm from the floor, and this should be a suitable height for most people.

Note: Pulls are Fixed with glue & grub screws

Overview

① Flush Pull illustrated

② (General dimensions of Flush Pull)

③ Supplied with: 2 x Grub Screws

M Marcus Ltd., Dudley

Product Code

C1872

Material

Solid Brass

Available in all Heritage Brass finishes.

Sizes shown are in mm and approximate. We reserve the right to amend where necessary and without any prior notice.