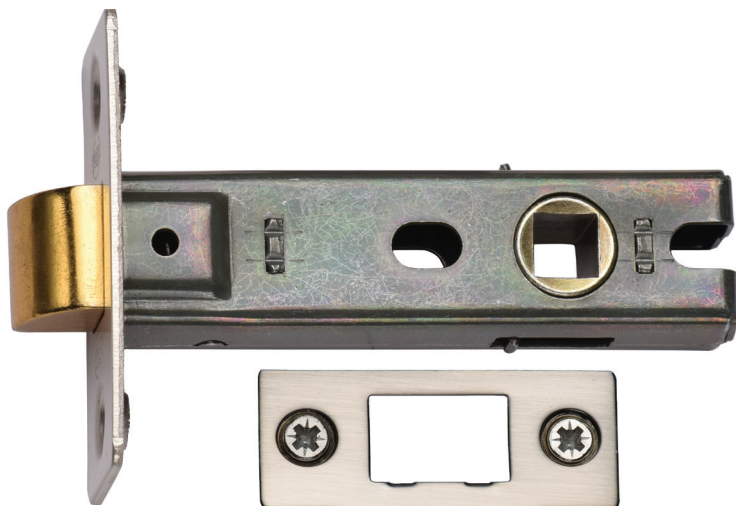
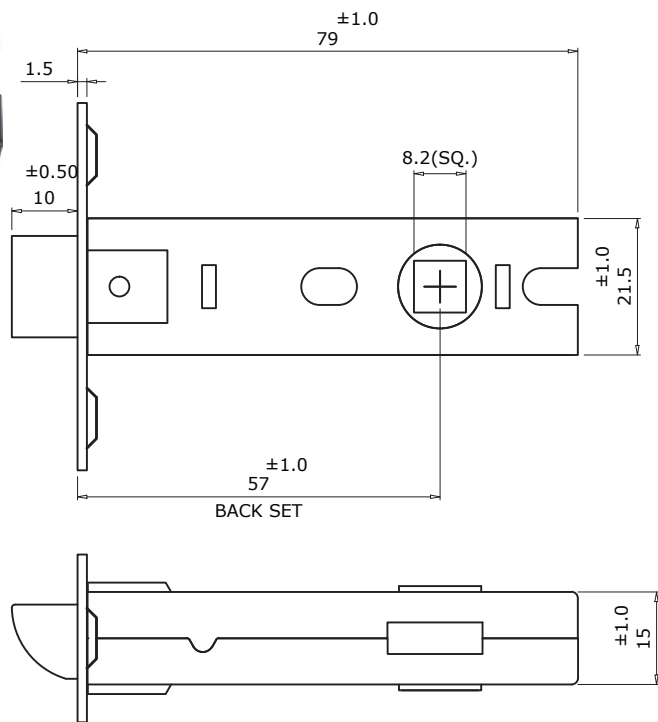
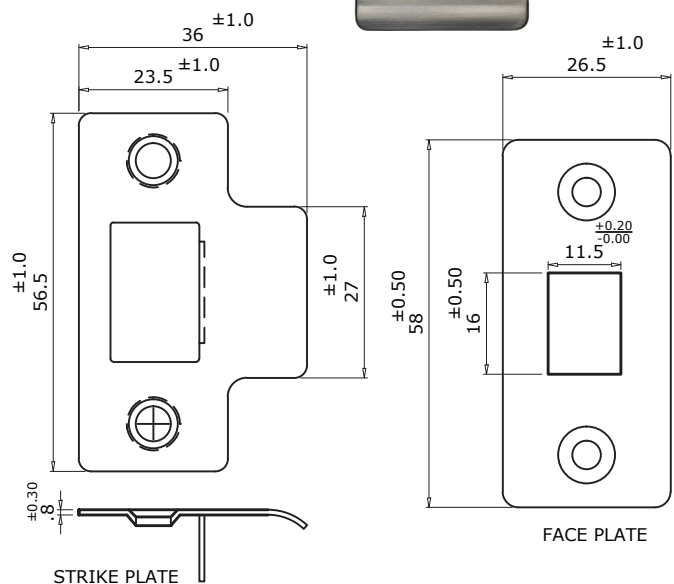


YKTL3N STANDARD DUTY TUBULAR LATCH ~ Bolt Through



1 LATCH AND STRIKE DIMENSIONS



SIZES CODES & FINISHES

YKTL3N-AT	2½" Antique Finish
YKTL3N-BLK	2½" Black Finish
YKTL3N-MB	2½" Matt Bronze Finish
YKTL3N-PB	2½" Brass Finish
YKTL3N-PC&PN	2½" Pol.Chrome/Nickel Finish
YKTL3N-SB	2½" Satin Brass Finish
YKTL3N-SN&SC	2½" Satin Chrome/Nickel Finish

TUBULAR LATCHES

Lightly sprung latch.
 Used for internal doors that do not require locking from either side.
 Suitable for sprung levers and sprung mortice knobs.
 Suitable for use with 8mm door handle spindles and for round rose furniture requiring bolt through fixing.
 Latch is fully reversible for door handing.
 2½" recommended for Levers
 3" recommended for Mortice Knobs



Box Contains	1 Tubular Latch and Strike plate	2 4x screws
--------------	----------------------------------	-------------

M Marcus Ltd., Dudley

Material	Product Code	Description	Sizes shown are in mm and approximate. We reserve the right to amend where necessary and without any prior notice.
Metals	YKTLN 3"	Standard Duty Tubular Latch	