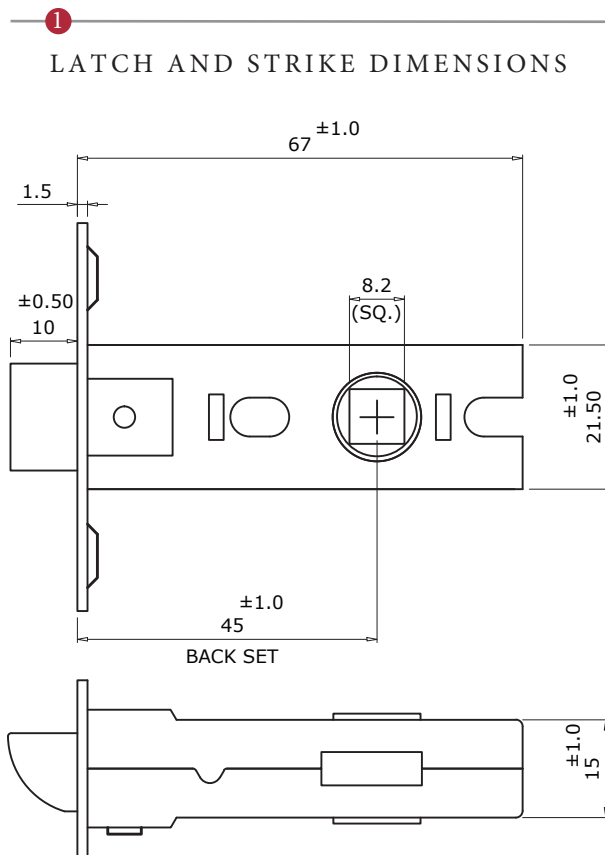
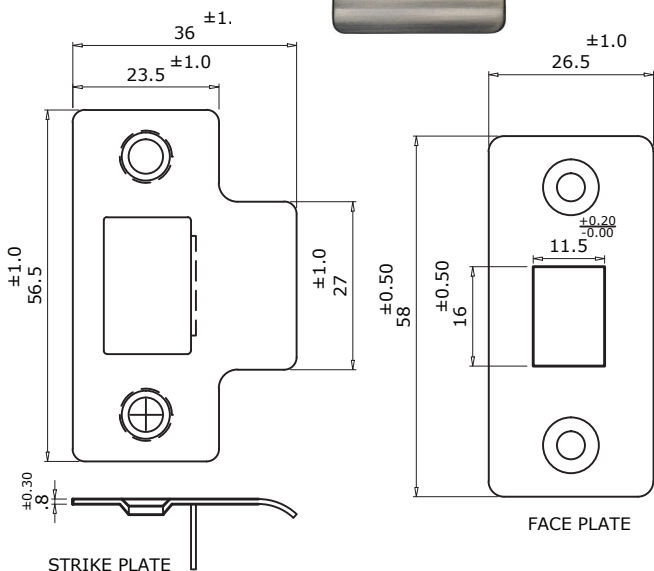
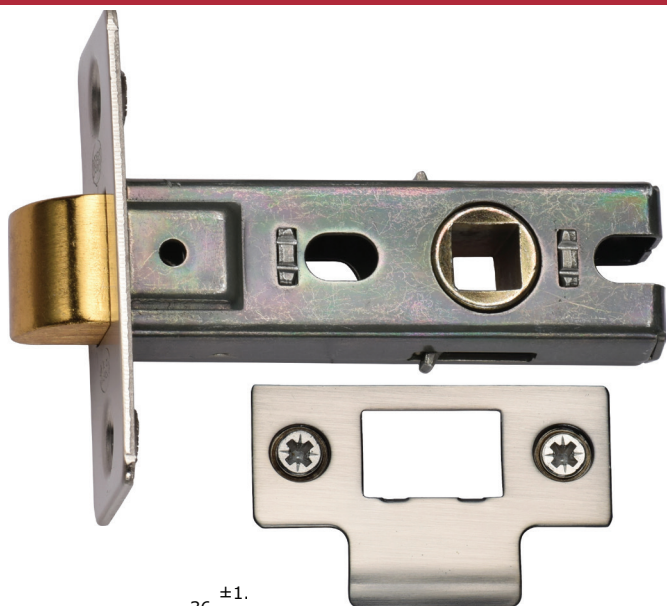


YKTL2N STANDARD DUTY TUBULAR LATCH ~ Bolt Through



SIZES CODES & FINISHES

YKTL2N-AT	2½" Antique Finish
YKTL2N-BLK	2½" Black Finish
YKTL2N-MB	2½" Matt Bronze Finish
YKTL2N-PB	2½" Brass Finish
YKTL2N-PC&PN	2½" Pol.Chrome/Nickel Finish
YKTL2N-SB	2½" Satin Brass Finish
YKTL2N-SN&SC	2½" Satin Chrome/Nickel Finish



TUBULAR LATCHES

Lightly sprung latch.
 Used for internal doors that do not require locking from either side.
 Suitable for sprung levers and sprung mortice knobs.
 Suitable for use with 8mm door handle spindles and for round rose furniture requiring bolt through fixing.
 Latch is fully reversible for door handing.
 2½" recommended for Levers
 3" recommended for Mortice Knobs

Box Contains	① Tubular Latch and Strike plate	② 4x screws
--------------	----------------------------------	-------------

M Marcus Ltd., Dudley

Material	Product Code	Description	Sizes shown are in mm and approximate. We reserve the right to amend where necessary and without any prior notice.
Metals	YKTLN 2½"	Standard Duty Tubular Latch	