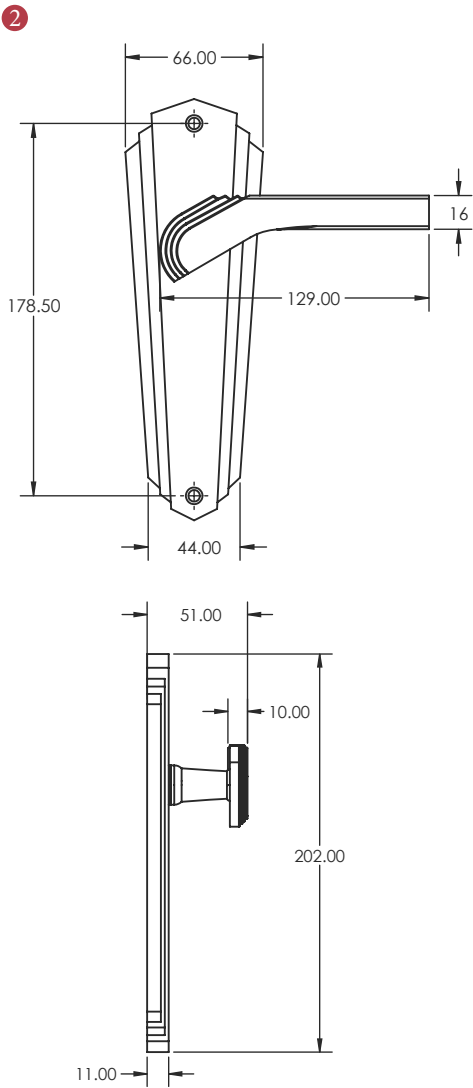
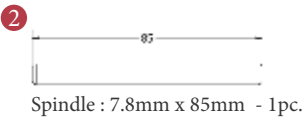


WALDORF LEVER HANDLE



This latch handle is suitable for use with most U.K. tubular latches.
For a new door installation we would recommend using our York standard tubular latch from the list below.



FINISHES

TUBULAR LATCH

(not Included, must be ordered separately)

MB Matt Bronze	YKTL2N-AT	2 1/2" Antique Finish
SB Satin Brass	YKTL2N-BLK	2 1/2" Black Finish
PN Polished Nickel	YKTL2N-MB	2 1/2" Matt Bronze Finish
SN Satin Nickel	YKTL2N-PB	2 1/2" Brass Finish
AT Antique Brass	YKTL2N-PC&PN	2 1/2" Polished Chrome & Nickel Fini
SC Satin Chrome	YKTL2N-SB	2 1/2" Satin Brass Finish
PB Polished Brass	YKTL2N-SN&SC	2 1/2" Satin Nickel & Chrome Finish
PC Polished Chrome	YKTL3N-AT	3" Antique Finish
	YKTL3N-BLK	3" Black Finish
	YKTL3N-MB	3" Matt Bronze Finish
	YKTL3N-PB	3" Brass Finish
	YKTL3N-PC&PN	3" Polished Chrome & Nickel Finish
	YKTL3N-SB	3" Satin Brass Finish
	YKTL3N-SN&SC	3" Satin Nickel & Chrome Finish

Box Contains

- ① Lever handle illustrated
- ② 1x spindle suitable for 35mm & 44 mm thick door
- ③ 2 x Male & Female securing screws

 M Marcus Ltd., Dudley

Product Code

Material

WAL6510

Solid Brass

Sizes shown are in mm and approximate.
We reserve the right to amend where necessary and without any prior notice.