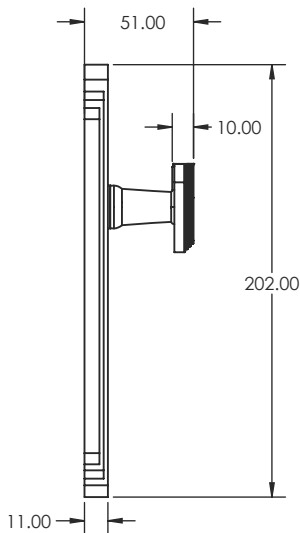
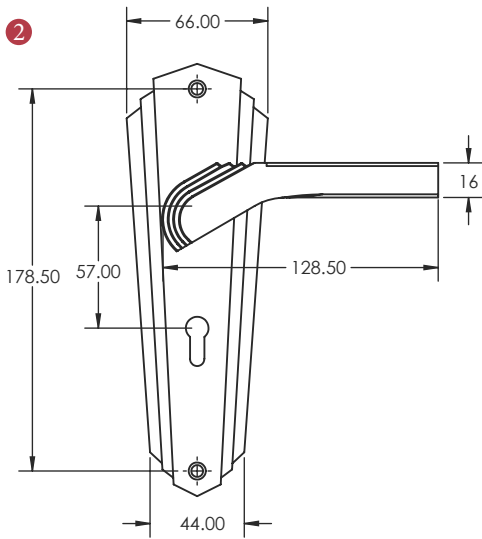
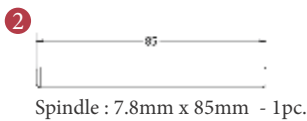


WALDORF LEVER LOCK HANDLE



This lock handle is suitable for use with most U.K. sashlocks with 57mm CTC.

For a new interior door installation we would recommend using our York 3 lever sashlock from the list below.



Spindle : 7.8mm x 85mm - 1pc.



2x Male & Female screw.

FINISHES

3 LEVER SASHLOCK

(not Included, must be ordered seperately)

<b>MB</b> Matt Bronze	YKSL32N-AT 2 1/2" Antique Finish
<b>BLK</b> Black	YKSL32N-BLK 2 1/2" Black Finish
<b>SB</b> Satin Brass	YKSL32N-MB 2 1/2" Matt Bronze Finish
<b>PB</b> Polished Brass	YKSL32N-PB 2 1/2" Brass Finish
<b>PN</b> Polished Nickel	YKSL32N-PC/PN 2 1/2" Polished Chrome & Nickel Finish
<b>SN</b> Satin Nickel	YKSL32N-SB 2 1/2" Satin Brass Finish
<b>AT</b> Antique Brass	YKSL32N-SN/SC 2 1/2" Satin Nickel & Chrome Finish
<b>SC</b> Satin Chrome	YKSL33N-AT 3" Antique Finish
<b>PB</b> Polished Brass	YKSL33N-BLK 3" Black Finish
<b>PC</b> Polished Chrome	YKSL33N-MB 3" Matt Bronze Finish
	YKSL33N-PB 3" Brass Finish
	YKSL33N-PC/PN 3" Polished Chrome & Nickel Finish
	YKSL33N-SB 3" Satin Brass Finish
	YKSL33N-SN/SC 3" Satin Nickel & Chrome Finish

Box Contains

- ① Lever handle illustrated
- ② 1x spindle suitable for 35mm & 44 mm thick door
- ③ 2 x Male & Female securing screws

M Marcus Ltd., Dudley

Product Code

Material

WAL6500

Solid Brass

Sizes shown are in mm and approximate. We reserve the right to amend where necessary and without any prior notice.