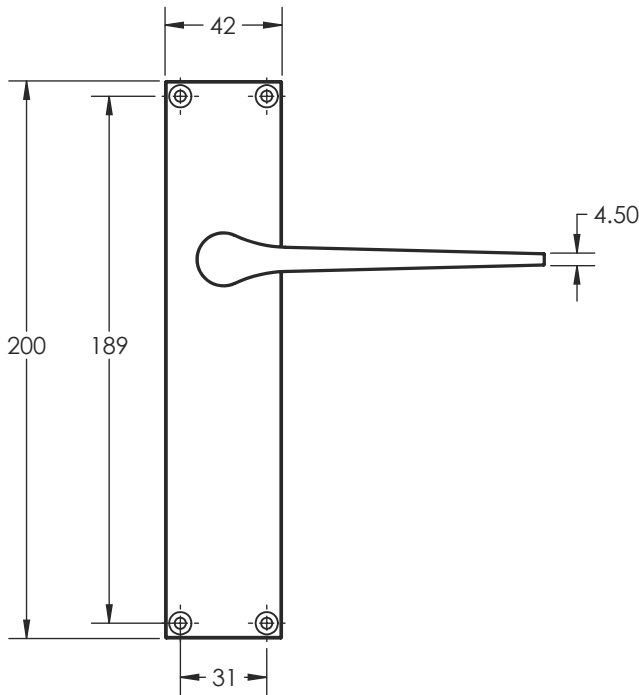
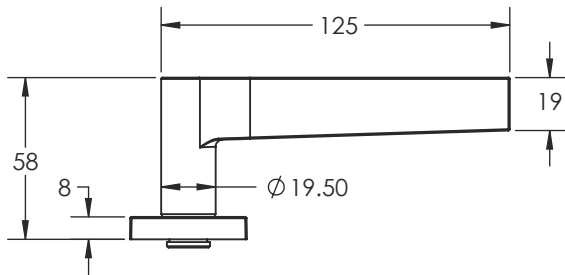


GIO LEVER LATCH ON 200mm PLAIN PLATE

2

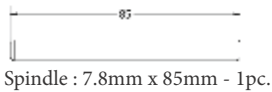


1



This latch handle is suitable for use with most U.K. tubular latches.
For a new door installation we would recommend using our York standard tubular latch from the list below.

2



Spindle : 7.8mm x 85mm - 1pc.

3



Iron starter screw x 1pc.
Drill pilot holes, use the starter screw to cut a thread



8x Brass wood screws
Fasten the brass screw into the pilot hole

FINISHES

TUBULAR LATCH

(not Included, must be ordered separately)

Matt Bronze	YKTL2N-AT	2 1/2" Antique Finish
Satin Brass	YKTL2N-BLK	2 1/2" Black Finish
Satin Nickel	YKTL2N-MB	2 1/2" Matt Bronze Finish
Antique Brass	YKTL2N-PB	2 1/2" Brass Finish
Satin Chrome	YKTL2N-PC&PN	2 1/2" Polished Chrome & Nickel Finish
Polished Brass	YKTL2N-SB	2 1/2" Satin Brass Finish
Polished Chrome	YKTL2N-SN&SC	2 1/2" Satin Nickel & Chrome Finish
Matt Black	YKTL3N-AT	3" Antique Finish
	YKTL3N-BLK	3" Black Finish
	YKTL3N-MB	3" Matt Bronze Finish
	YKTL3N-PB	3" Brass Finish
	YKTL3N-PC&PN	3" Polished Chrome & Nickel Finish
	YKTL3N-SB	3" Satin Brass Finish
	YKTL3N-SN&SC	3" Satin Nickel & Chrome Finish

Box Contains

1	2	3
Lever handle illustrated	1x 85mm spindle suitable for 35mm & 45mm thick door	1x Iron screw 8x Brass wood screws

M Marcus Ltd., Dudley

Product Code

VT8110

Material

Solid Brass

Sizes shown are in mm and approximate.
We reserve the right to amend where necessary and without any prior notice.