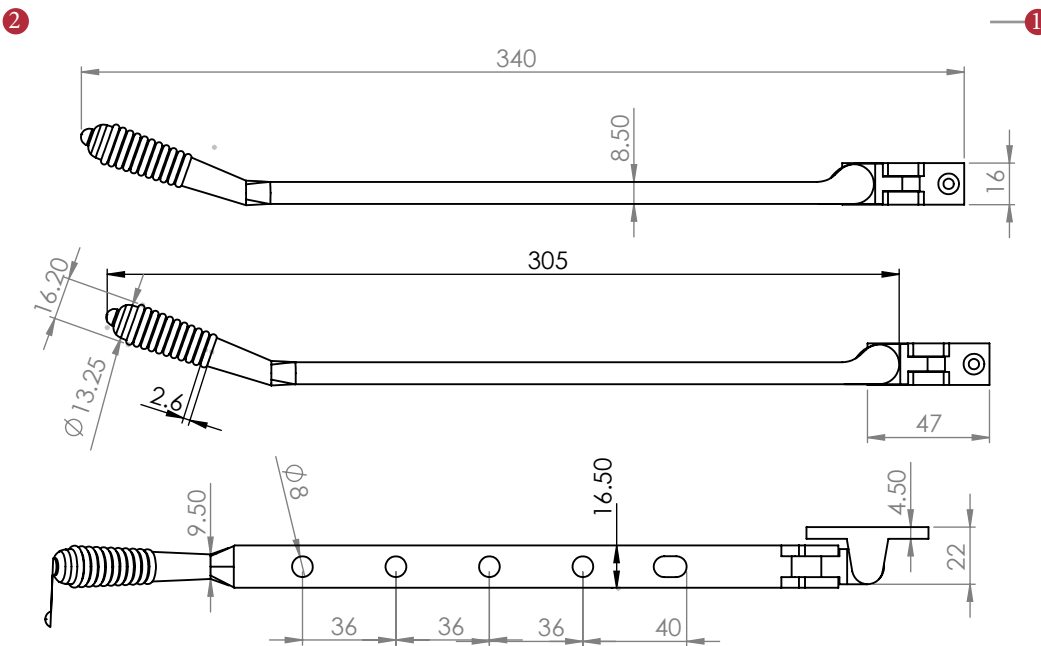
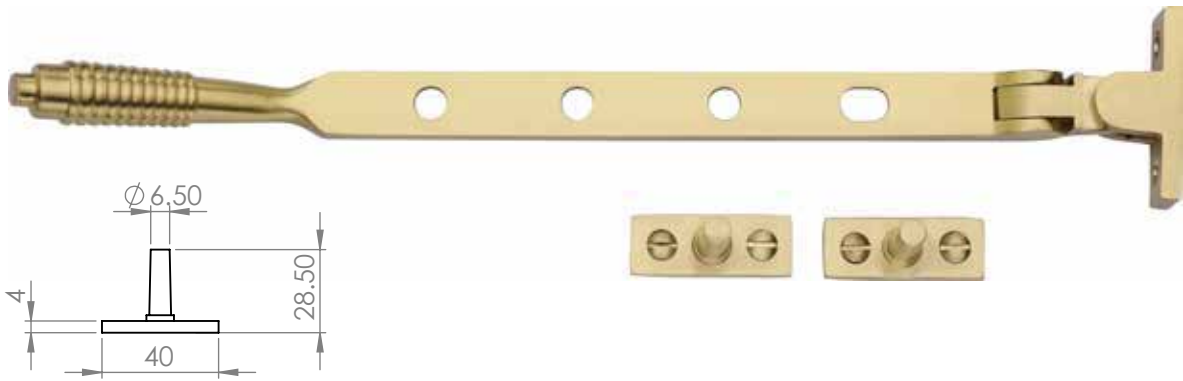


V892 12" REEDED CASEMENT STAY



2 Dimensions: see the outlines given above



FINISHES

- ME Matt Bronze finish
- SB Satin Brass finish
- PN Polished Nickel finish
- SN Satin Nickel finish
- AT Antique Brass finish
- SC Satin Chrome finish
- PE Polished Brass finish
- PC Polished Chrome finish

Overview	1 Reeded Casement Stay illustrated	2 General Dimensions of Casement Stay	3 Supplied with: 6x 25mm brass screws 1x Steel pilot screw
----------	------------------------------------	---------------------------------------	--

M Marcus Ltd., Dudley

Product Code	Material	Sizes shown are in mm and approximate. We reserve the right to amend where necessary and without any prior notice.
V892 12"	Solid Brass	