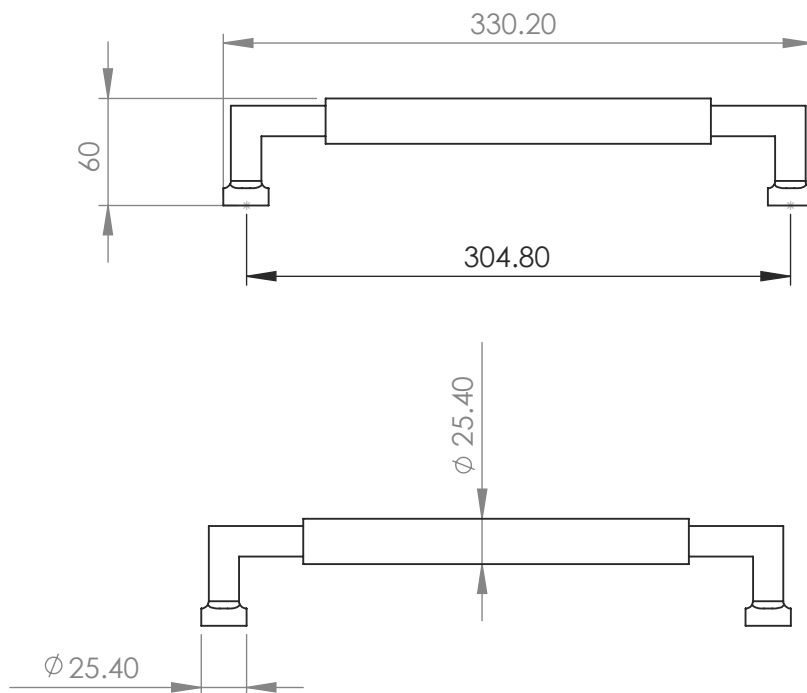
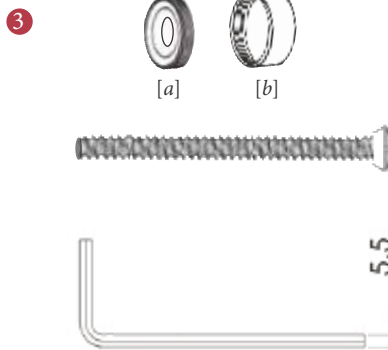


V1312 330 ~ BAUHAUS APPLIANCE PULL



② Dimensions:  
see the outlines given above



FINISHES

- ME Matt Bronze finish
- SB Satin Brass finish
- SN Satin Nickel finish
- AT Antique Brass finish
- PE Polished Brass finish
- PC Polished Chrome finish
- BK Matt Black finish

Overview

① Appliance Pull illustrated

② (General dimensions of Appliance Pull)

③ Supplied with:  
1x Allen key                      2x threaded washer [a]  
2x threaded Allen bolt        2x decorative cap [b]

  
M Marcus Ltd., Dudley

Product Code

V1312 330

Material

Solid Brass

Sizes shown are in mm and approximate.  
We reserve the right to amend where necessary and without any prior notice.