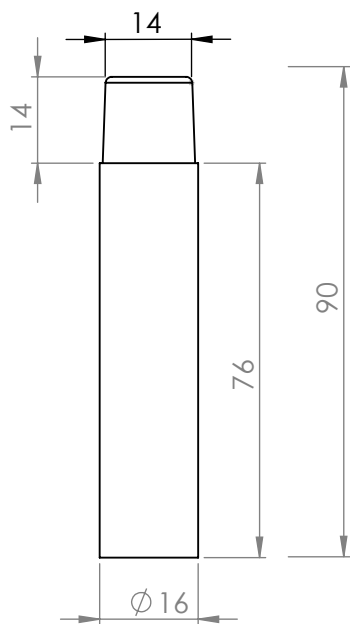
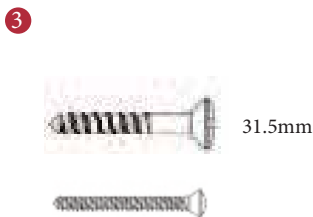


V1081 76 DOOR STOP



② Dimensions:
see the outlines given above



FINISHES

- ◆ ME ◆ Matt Bronze
- ◆ SE ◆ Satin Brass
- ◆ SN ◆ Satin Nickel
- ◆ AT ◆ Antique Brass
- ◆ SC ◆ Satin Chrome
- ◆ PN ◆ Polished Nickel
- ◆ PE ◆ Polished Brass
- ◆ PC ◆ Polished Chrome

Overview

- ① Door Stop illustrated
- ② (General dimensions of Door Stop)
- ③ Supplied with:
1 x wood screw
1 x starter screw


M Marcus Ltd., Dudley

Product Code

V1081 76

Material

Solid Brass

Sizes shown are in mm and approximate.
We reserve the right to amend where
necessary and without any prior notice.