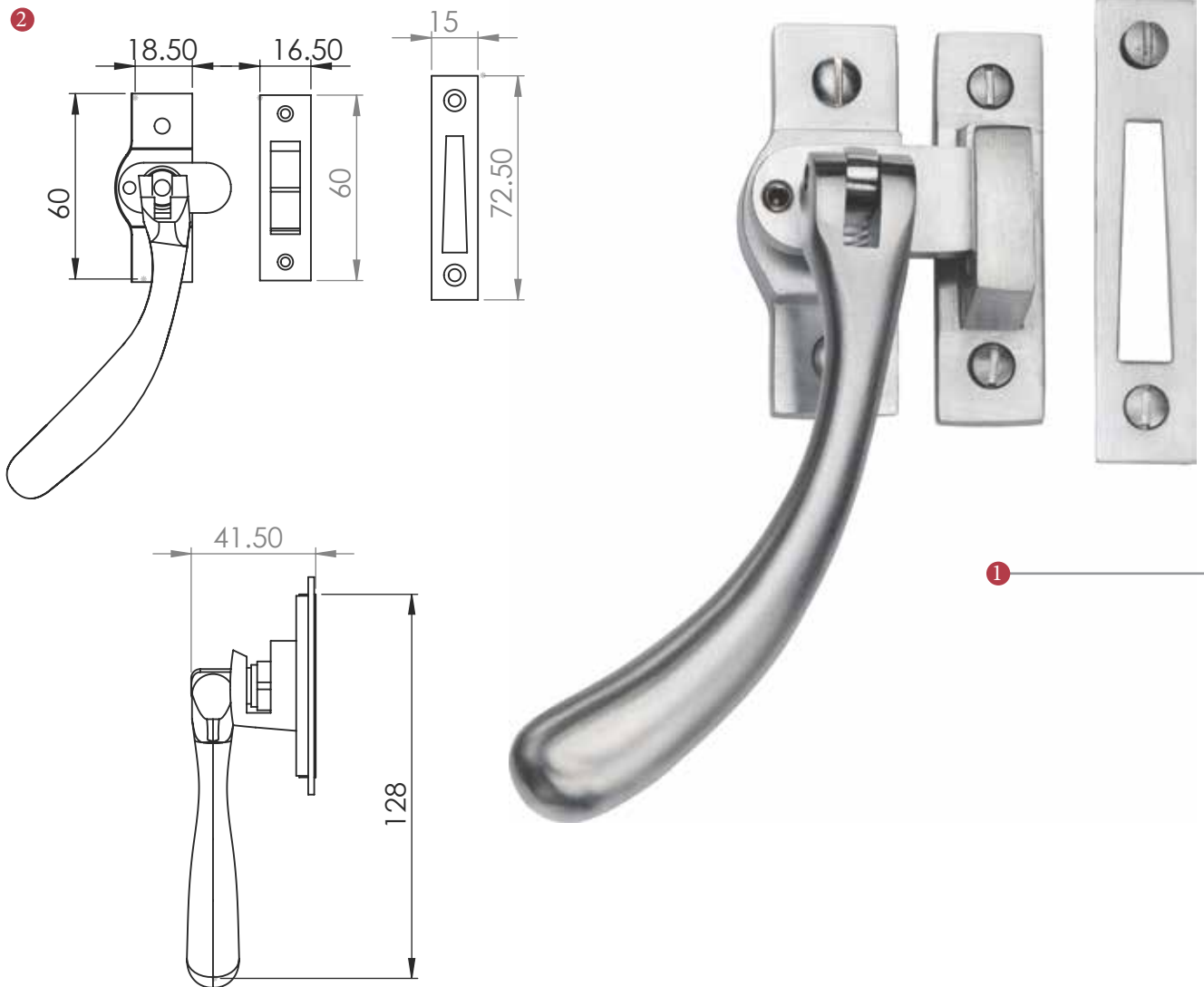
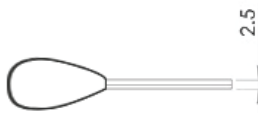
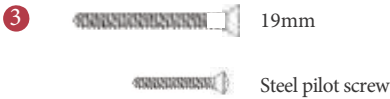


V1008L MORTICE & HOOK PLATE BALL CASEMENT FASTENER (LOCKABLE)



② Dimensions: see the outlines given above



Overview

- ① Mortice & Hook Plate Ball Casement Fastener illustrated
- ② General Dimensions of Mortice & Hook Plate Casement Fastener
- ③ Supplied with: 1x Allen Key  
4 x 19mm brass screws  
1x Steel pilot screw

FINISHES

- ME Matt Bronze finish
  - SB Satin Brass finish
  - PN Polished Nickel finish
  - SN Satin Nickel finish
  - AT Antique Brass finish
  - SC Satin Chrome finish
  - PB Polished Brass finish
  - PC Polished Chrome finish
  - BK Matt Black finish
- Also available in unlacquered Brass (ULB)

M Marcus Ltd., Dudley

Product Code

V1008L

Material

Solid Brass

Sizes shown are in mm and approximate. We reserve the right to amend where necessary and without any prior notice.