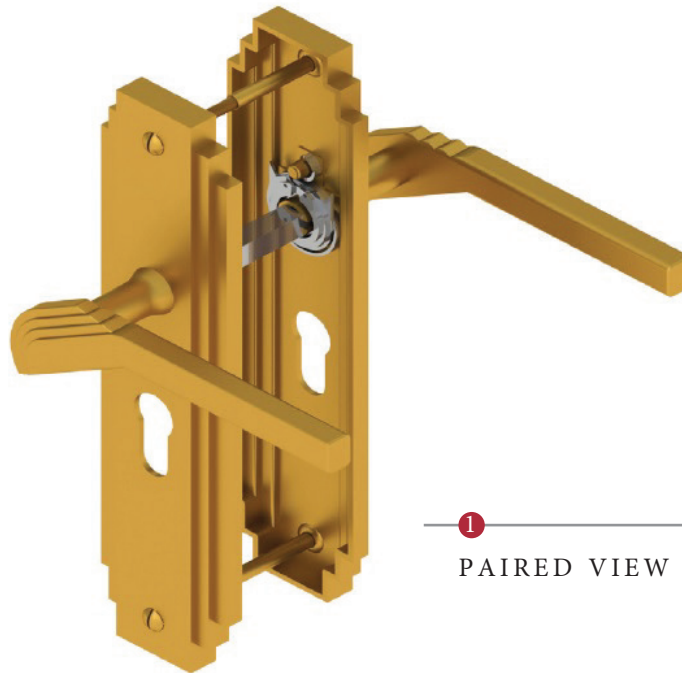
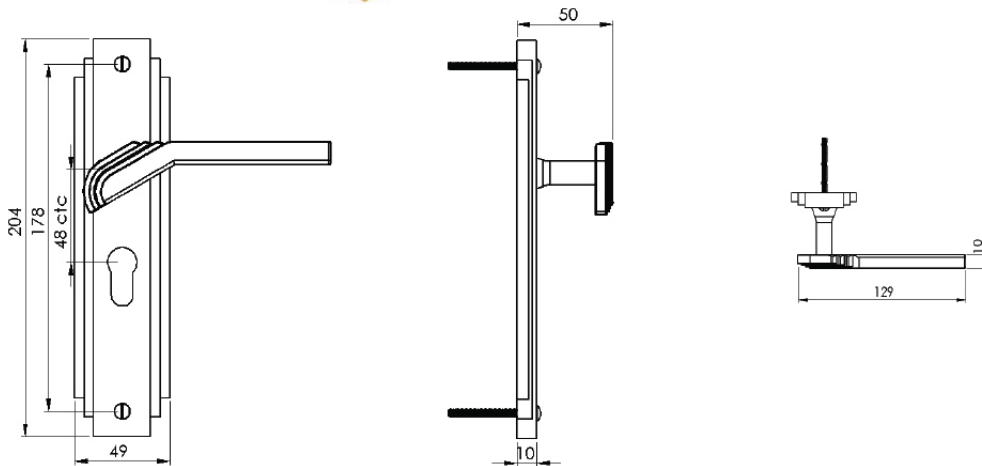


TIFFANY EURO PROFILE LOCK HANDLE

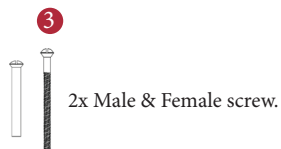
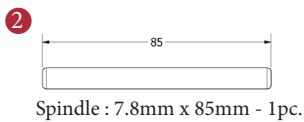


1  
PAIRED VIEW



This lock handle is suitable for use with most U.K. Euro Profile cylinders and sashlocks with a 48mm CTC.

**EURO PROFILE SASHLOCKS**  
with a 48mm CTC  
(not included, must be ordered separately)



- YKCSLE27.CE 2.1/2" PVD Brass Finish
- YKCSLE28.CE 2.1/2" PSS
- YKCSLE29.CE 2.1/2" SSS
- YKCSLE37.CE 3" PVD Brass Finish
- YKCSLE38.CE 3" PSS
- YKCSLE39.CE 3" SSS

Box  
Contains

|                       |   |                                   |
|-----------------------|---|-----------------------------------|
| 1                     | 2   | 3                                 |
| Pair of lever handles | 1x 85mm spindle suitable for 35mm & 45mm thick door | 2x Brass male & female screw sets |

  
**M Marcus Ltd., Dudley**

|              |             |   |  |
|--------------|-------------|---|--|
| Product Code | Material    | Available in all Heritage Brass finishes. | Sizes shown are in mm and approximate. We reserve the right to amend where necessary and without any prior notice. |
| TIF5248      | Solid Brass |   |  |