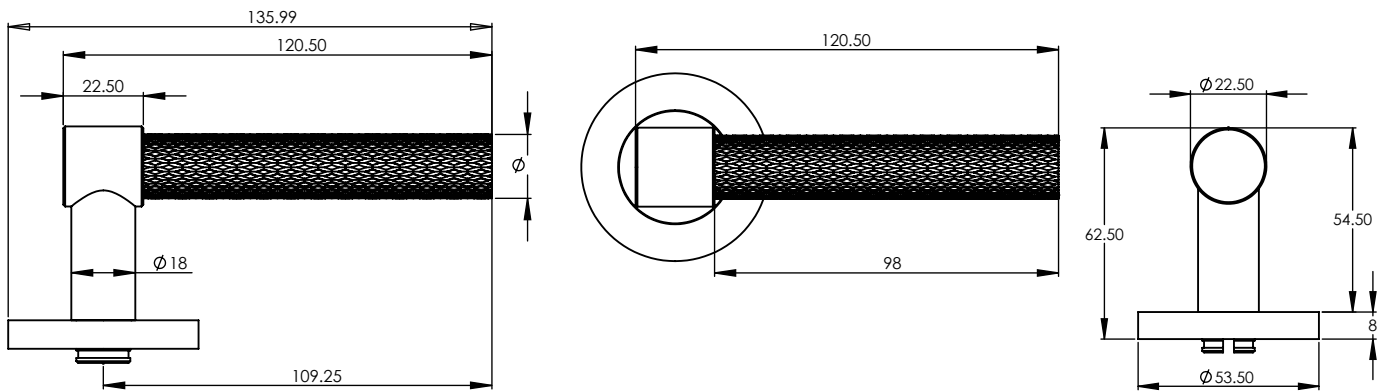


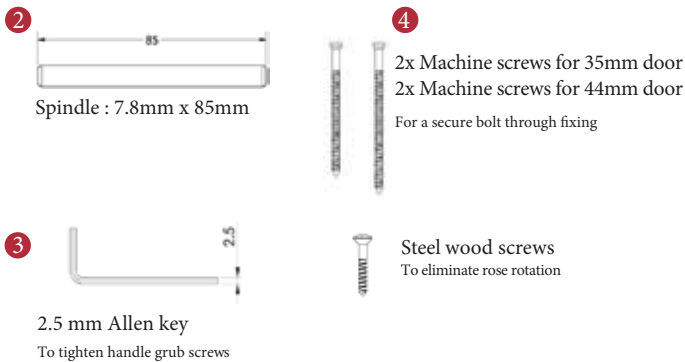
LEVER ON ROSE



1



This latch handle is suitable for use with most U.K. tubular latches.
 For a new door installation we would recommend using our York standard tubular latch from the list below. Please select the size and finish required.



FINISHES

TUBULAR LATCH

(not Included, must be ordered separately)

ME	Matt Bronze	YKTL2N-AT	2½" Antique Finish
BLK	Satin Brass	YKTL2N-BLK	2½" Black Finish
MB	Polished Nickel	YKTL2N-MB	2½" Matt Bronze Finish
PB	Satin Nickel	YKTL2N-PB	2½" Brass Finish
PC&PN	Antique Brass	YKTL2N-PC&PN	2½" Polished Chrome & Nickel Finish
SB	Satin Nickel & Chrome Finish	YKTL2N-SB	2½" Satin Brass Finish
SN&SC	Polished Brass	YKTL2N-SN&SC	2½" Satin Nickel & Chrome Finish
AT	Polished Chrome	YKTL3N-AT	3" Antique Finish
BLK	Matt Bronze /Satin Brass	YKTL3N-BLK	3" Black Finish
MB		YKTL3N-MB	3" Matt Bronze Finish
PB		YKTL3N-PB	3" Brass Finish
PC&PN		YKTL3N-PC&PN	3" Polished Chrome & Nickel Finish
SB		YKTL3N-SB	3" Satin Brass Finish
SN&SC		YKTL3N-SN&SC	3" Satin Nickel & Chrome Finish

Box Contains

1	2	3	4
Lever on Rose shown	1x spindle suitable for 35mm & 44 mm thick door	1x Allen key	4x Machine screws 8x wood screws

M Marcus Ltd., Dudley

Material	Product Code	Description	Sizes shown are in mm and approximate. We reserve the right to amend where necessary and without any prior notice.
Solid Forged Brass	RS2018	Phoenix Knurled lever on RS rose	