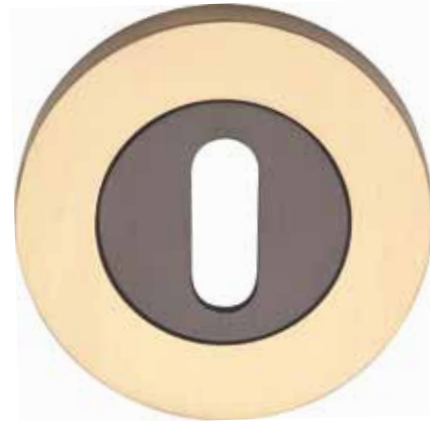
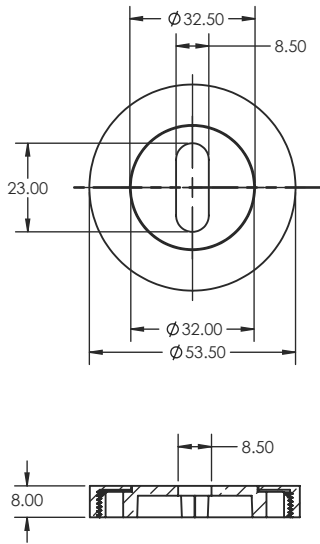


RS2000 STANDARD KEY ESCUTCHEON



1



2

2 Dimensions: see the outlines given above

3



FINISHES

BSB - Matt Bronze & Satin Brass (shown above)

- MB** Matt Bronze finish
- SB** Satin Brass finish
- PN** Polished Nickel finish
- SN** Satin Nickel finish
- AT** Antique Brass finish
- SC** Satin Chrome finish
- PB** Polished Brass finish
- PC** Polished Chrome finish

Overview

1 Standard Key Escutcheon illustrated

2 General Dimensions of Standard Key Escutcheon

3 Supplied with: 4 x 19mm brass screws

M Marcus Ltd., Dudley

Product Code

RS2000

Material

Solid Brass

Available in all Heritage Brass finishes.

Sizes shown are in mm and approximate. We reserve the right to amend where necessary and without any prior notice.