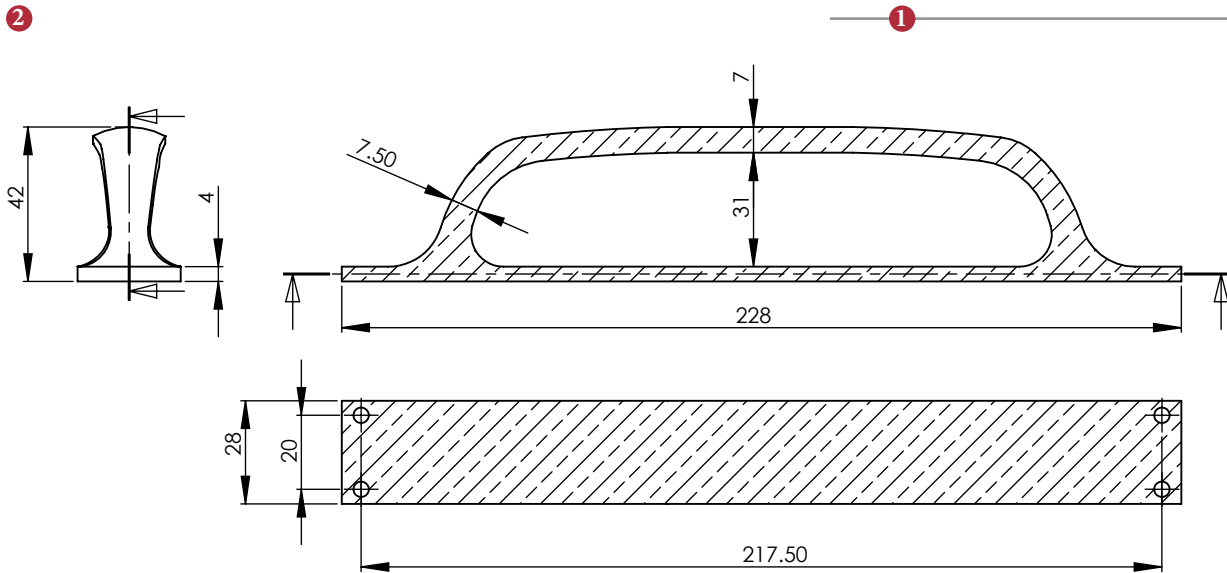



# Solid Bronze Rustic

DOOR & CABINET HARDWARE

## SOLID BRONZE RUSTIC CABINET PULL HANDLE ON PLATE



② Dimensions:  
see the outlines given above

③  Brass wood screws x 4pc

Box Contains	① Cabinet Pull illustrated	② General dimension of Cabinet Pull	③ Supplied with: 4x 19mm Brass wood screws

  
M Marcus Ltd., Dudley

Product Code	Material	Description	Sizes shown are in mm and approximate. We reserve the right to amend where necessary and without any prior notice.
RDB1142 228	Solid Bronze	Rustic Bronze Cabinet Pull Handle on Plate	