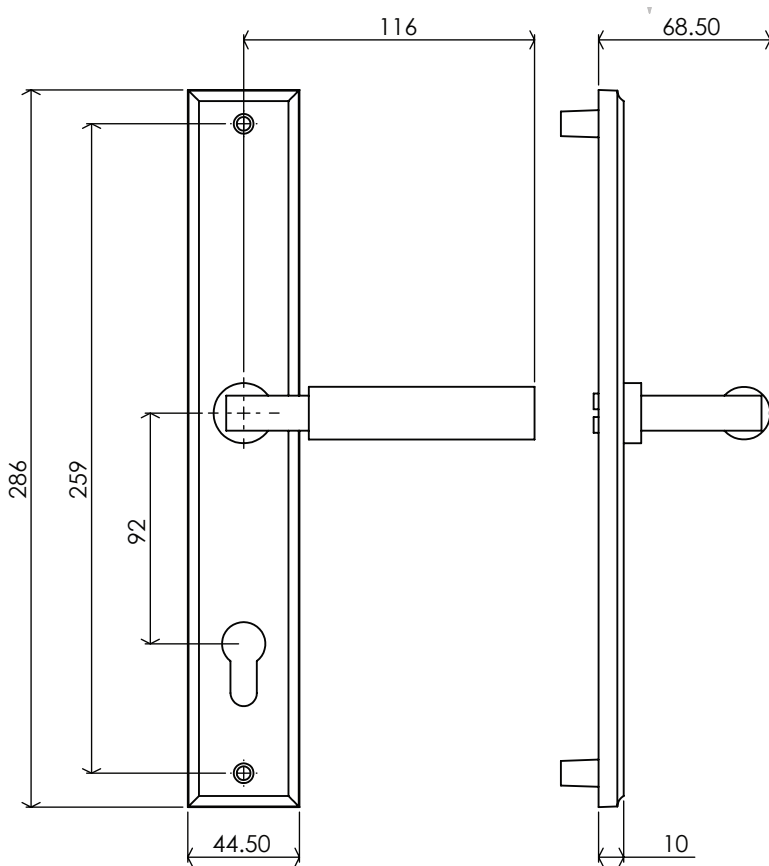
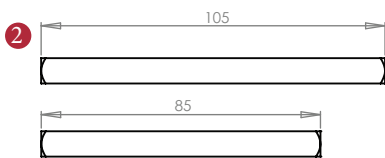


BAUHAUS MULTI-POINT HANDLE

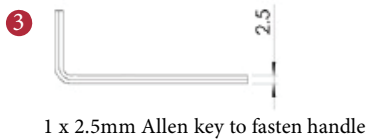


FINISHES

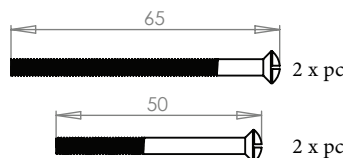
- ME Matt Bronze finish
- SB Satin Brass finish
- SN Satin Nickel finish
- AT Antique Brass finish
- SC Satin Chrome finish
- PC Polished Chrome finish



Spindle: 7.8mm x 85mm & 105mm 1 pc each
85mm spindle suitable for 35 & 45mm door thickness
& 105mm spindle suitable for 54mm door thickness.



1 x 2.5mm Allen key to fasten handle



2 x pc

2 x pc

Overview

- ① Multi-point dimensions illustrated
- ② 2 x Spindle. 1 each of: 85, & 105mm, x 7.8mm
- ③ Supplied with: 2.5mm Allen key
2 x 65mm & 2 x 50mm threaded screw

M Marcus Ltd., Dudley

Product Code

MP2259

Material

Solid Brass

Sizes shown are in mm and approximate. We reserve the right to amend where necessary and without any prior notice.