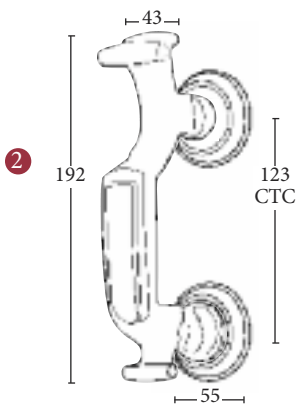
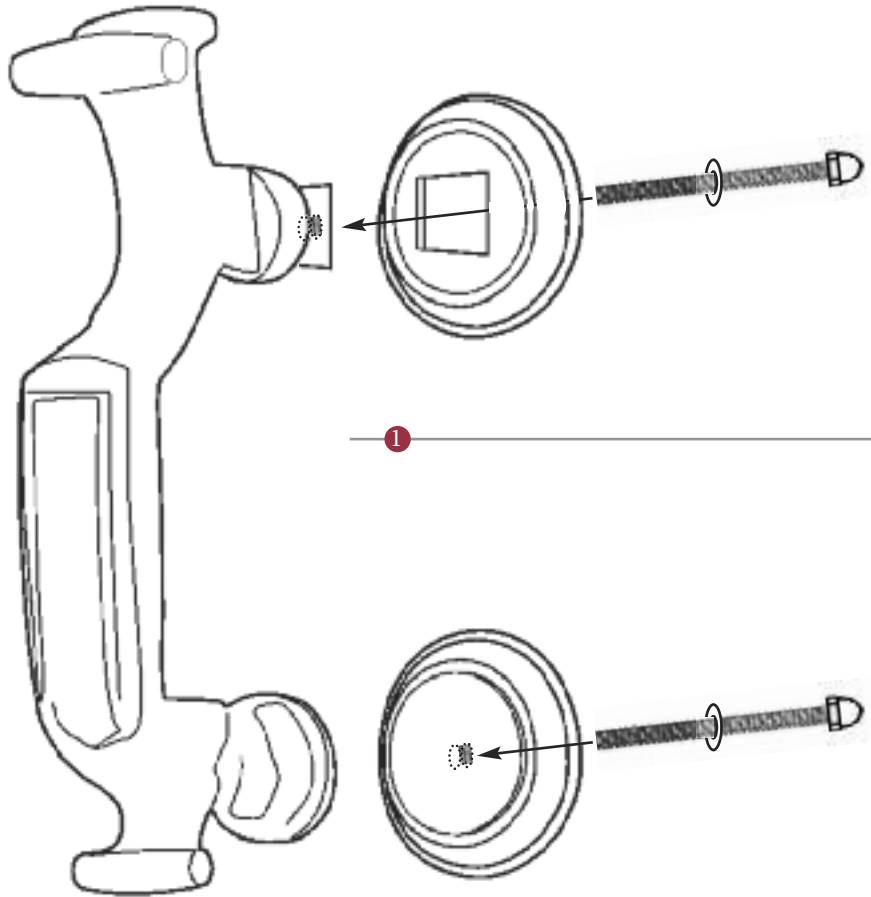


K1300 EXTERNAL DOOR HARDWARE



Overview

1 Door Knocker and Beater fixings illustrated

2 (General Dimensions of Door Knocker and Beater)

3 Supplied with:  
2x 65mm threaded back bolt  
2x matching finish washer

FITTING

- 1 Position Knocker assembly centrally on door and determine where to drill uppermost knocker fixing hole.
- 2 Drill a 5mm hole through the door.
- 3 From the centre of that first position measure 123mm straight downwards and drill a 5mm hole through the door at that point
- 4 Utilising the top drill hole: Affix the knocker through the square apertured backplate using one of the threaded back bolts (with washer) supplied
- 5 Utilising the lower drill hole: Affix the beater plate to the door using the remaining threaded back bolt (with washer) supplied
- 6 Tighten and test

M Marcus Ltd., Dudley

|                    |              |              |              |  |
|--------------------|--------------|--------------|--------------|--|
| Material           | Date         | Product Code | Description  | Sizes shown are in mm and approximate. We reserve the right to amend where necessary and without any prior notice. |
| Solid Forged Brass | 10 Sept 2019 | K1300        | Door Knocker |  |