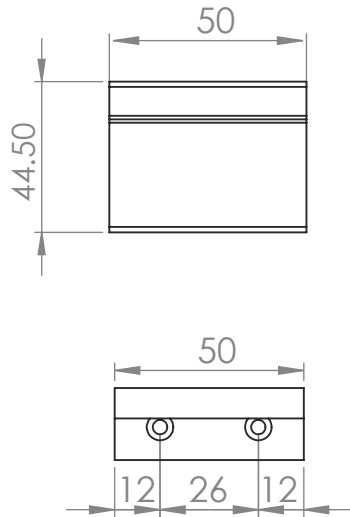


architectural hardware

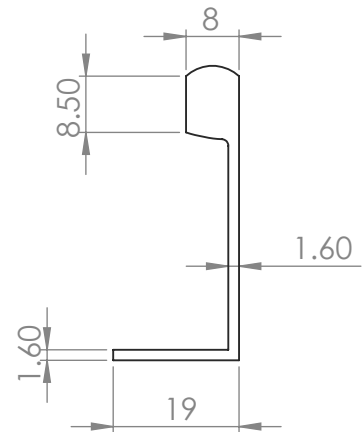
EPTR50 44 CABINET EDGE PULLS



2



1



2 Dimensions: see the outlines given above

3



FINISHES

-  Polished Brass finish
-  Polished Chrome finish
-  Antique Brass finish
-  Satin Chrome finish
-  Satin Nickel finish
-  Matt Bronze finish
-  Satin Brass finish
-  Polished Nickel finish
-  Matt Black finish

Overview

1 Edge Pull illustrated

2 (General dimensions of Edge Pull)

3 Supplied with: 2 x 16mm Brass Screws


M Marcus Ltd., Dudley

Product Code

EPTR50 44

Material

Solid Brass

Available in all Heritage Brass finishes.

Sizes shown are in mm and approximate. We reserve the right to amend where necessary and without any prior notice.