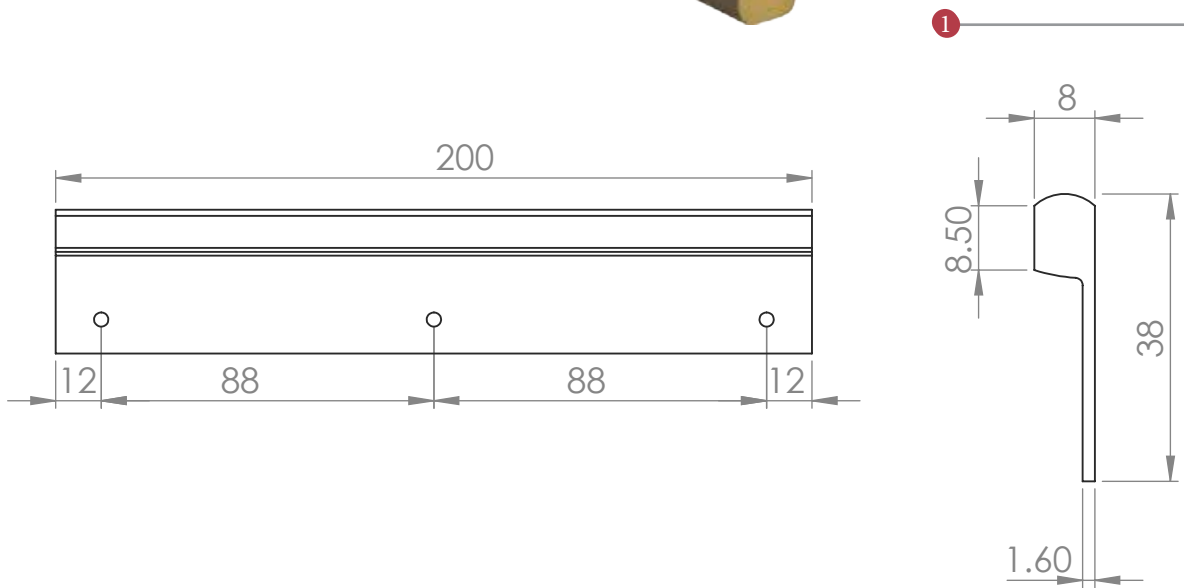
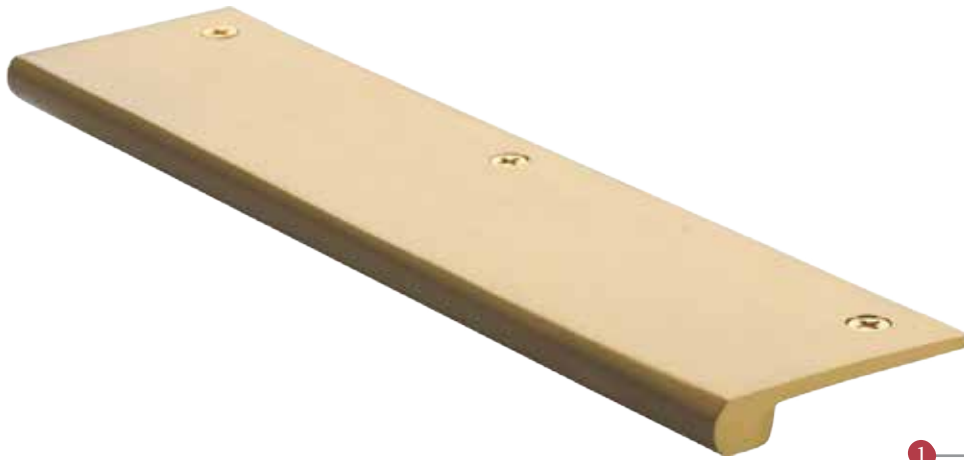


EPT200 38 CABINET EDGE PULLS



② Dimensions: see the outlines given above

③  3 x Brass Screw

FINISHES

-  Matt Bronze finish
-  Satin Brass finish
-  Polished Nickel finish
-  Satin Nickel finish
-  Antique Brass finish
-  Satin Chrome finish
-  Polished Brass finish
-  Polished Chrome finish
-  Matt Black finish

Overview

① Edge Pull illustrated

② (General dimensions of Edge Pull)

③ Supplied with: 3 x 16mm Brass Screws


M Marcus Ltd., Dudley

Product Code

EPT200 38

Material

Solid Brass

Sizes shown are in mm and approximate. We reserve the right to amend where necessary and without any prior notice.