

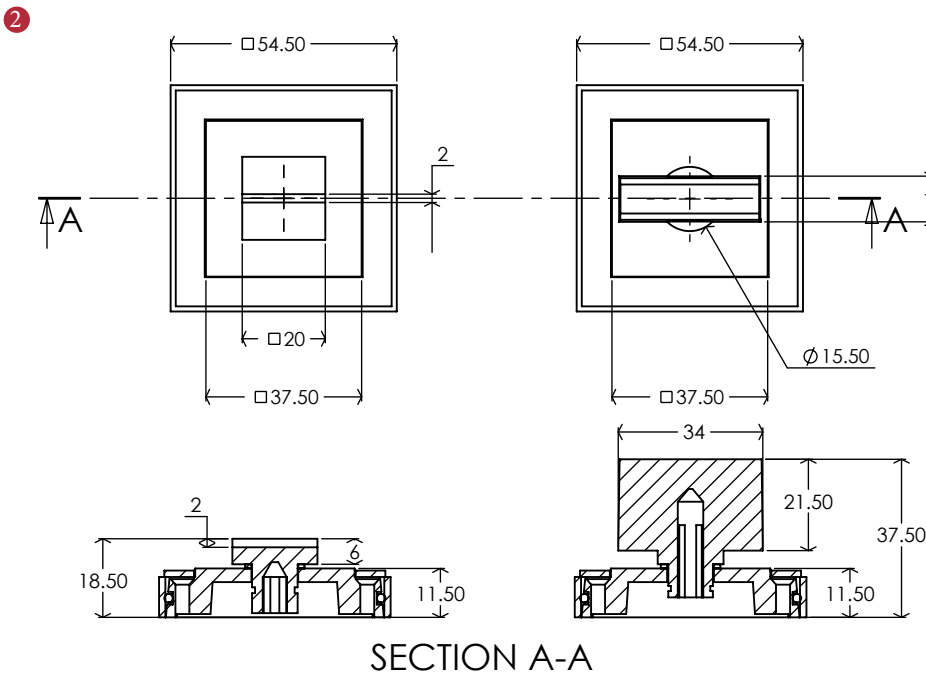
DEC7030 SQUARE BATHROOM TURN & RELEASE



Turn



Release



SECTION A-A

② Dimensions:  
see the outlines given above

③ 8 x Phillips Flat Head CSK Brass Screw



FINISHES

- ME Matt Bronze finish
- SB Satin Brass finish
- PN Polished Nickel finish
- SN Satin Nickel finish
- AT Antique Brass finish
- PC Polished Chrome finish

Overview

① Turn & Release illustrated

② General Dimension of Turn & Release

③ Supplied with: 8x 19mm screws  
1x Spindle 5mm x 77mm  
1x Spindle 5mm x 65mm

  
M Marcus Ltd., Dudley

Product Code

DEC7030

Material

Solid Brass

Sizes shown are in mm and approximate. We reserve the right to amend where necessary and without any prior notice.