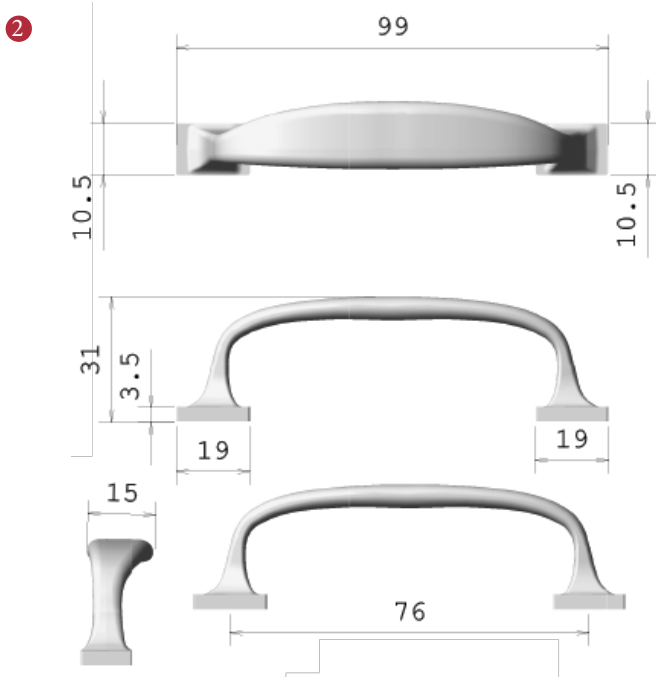
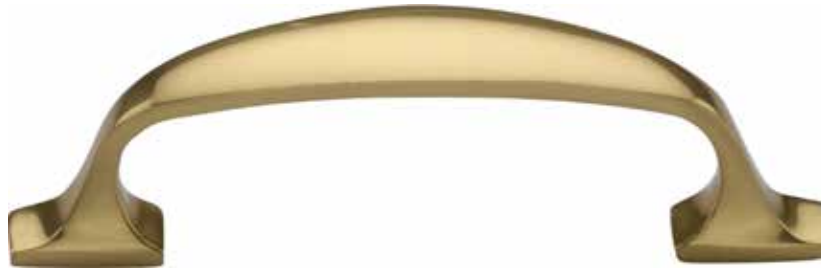
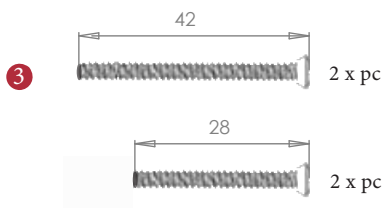


C7213 76 DURHAM CABINET PULL HANDLE



2 Dimensions: see the outlines given above



FINISHES

- ME Matt Bronze finish
- SB Satin Brass finish
- PN Polished Nickel finish
- SN Satin Nickel finish
- AT Antique Brass finish
- SR Satin Rose Gold finish
- SC Satin Chrome finish
- PE Polished Brass finish
- PC Polished Chrome finish
- BK Matt Black finish

Overview

1 Cabinet Pull illustrated

2 General Dimension of Cabinet Pull

3 Supplied with:
2x 42mm machine screws
2x 28mm machine screws

 M Marcus Ltd., Dudley

Product Code

C7213 76

Material

Solid Brass

Sizes shown are in mm and approximate. We reserve the right to amend where necessary and without any prior notice.