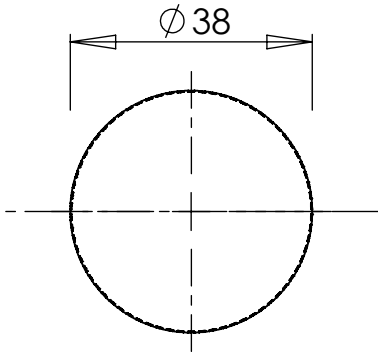
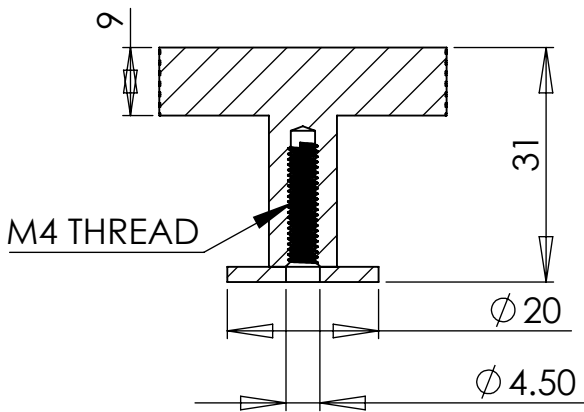


C3882 38 KNURLED DISC CABINET KNOB WITH ROSE

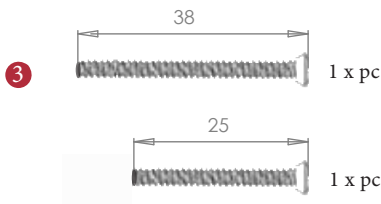


2

1



2 Dimensions: see the outlines given above



3

FINISHES

- ME** Matt Bronze finish
- SB** Satin Brass finish
- PN** Polished Nickel finish
- SN** Satin Nickel finish
- AT** Antique Brass finish
- SC** Satin Chrome finish
- PE** Polished Brass finish
- PC** Polished Chrome finish

- BSN** Matt Bronze/Satin Nickel
- BSB** Matt Bronze/Satin Brass

Overview

1

Cabinet Knob with base illustrated

2

General Dimension of Cabinet Knob with base

3

Supplied with:
1x 38mm machine screw
1x 25mm machine screw

 M Marcus Ltd., Dudley

Product Code

C3882 38

Material

Solid Brass

Sizes shown are in mm and approximate. We reserve the right to amend where necessary and without any prior notice.