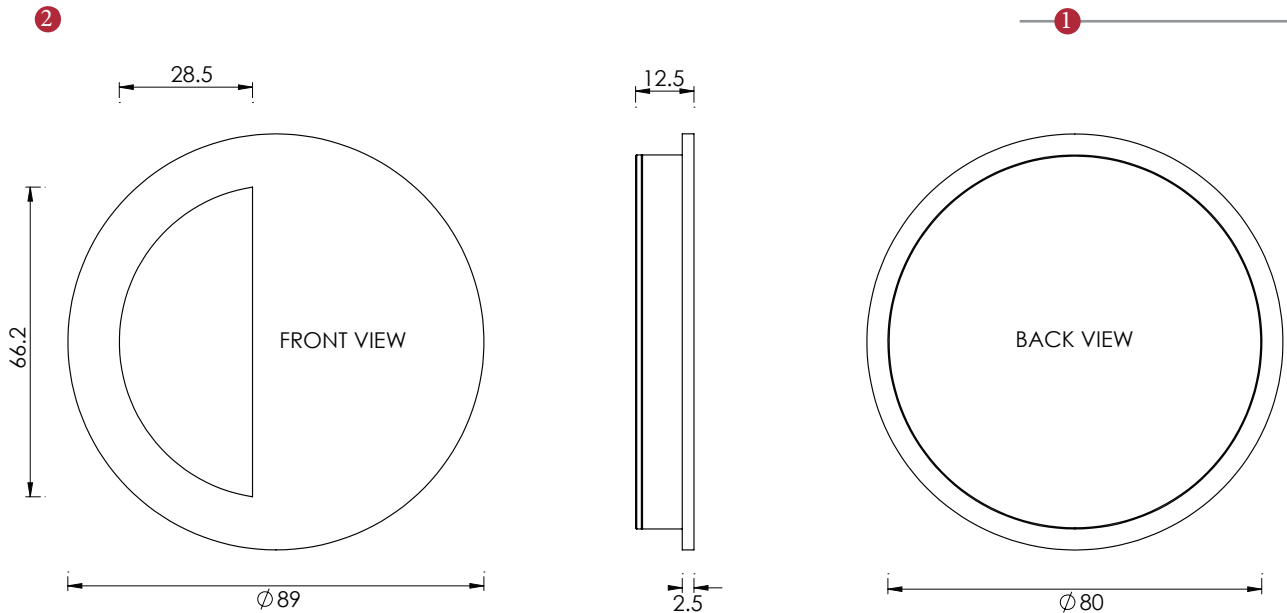


# architectural hardware

## C1845 ROUND FLUSH PULL



The recess measurement required to fit this item is taken from the back

2 For dimensions of product sizes: see the outlines given above

### FITTING

- 1 Position flush pull centrally to determine where to remove required recess for flush pull. This measurement is taken from the back view.
- 2 Remove just sufficient timber to create a recess for the back of the flush pull and which allows the plate to lie flat onto the surface of the door.
- 3 The door may dictate where the pull can be fitted, as general guide for fitting, the centre of the pull should be positioned approx. 1000mm from the floor, and this should be a suitable height for most people.

Note: It is normal for this type of product to be glued in place. The suggested glue is polyurethane, particularly if the doors are in bathrooms or areas of high humidity as this type of glue is moisture resistant and bonds to Metal/Wood and most other building materials.

### Overview

1 Flush Pull illustrated

2 General Dimensions of Flush Pull(s)

M Marcus Ltd., Dudley

Product Code

C1845

Material

Solid Brass

Available in all Heritage Brass finishes.

Sizes shown are in mm and approximate. We reserve the right to amend where necessary and without any prior notice.