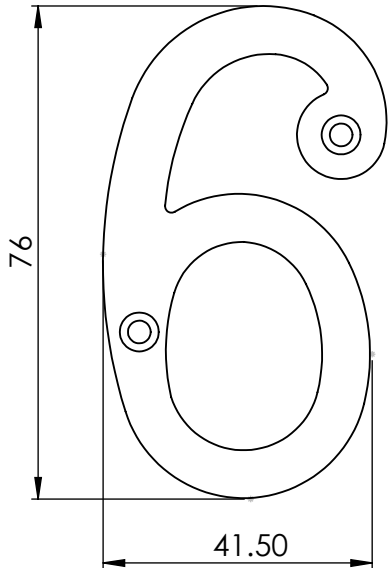


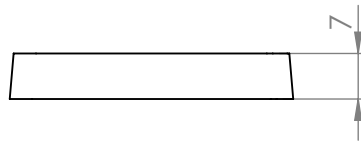
C1560 6 3" NUMERAL SCREW FIXING



2



1



2

Dimensions:
see the outlines given above

3



Steel starter screw x 1pc.
Drill pilot holes, use the starter screw to cut a thread

4



2x Brass wood Screw
Fasten the Brass Screw into the Pilot hole

FINISHES

- ME Matt Bronze finish
- SB Satin Brass finish
- PN Polished Nickel finish
- SN Satin Nickel finish
- AT Antique Brass finish
- SC Satin Chrome finish
- PE Polished Brass finish
- PC Polished Chrome finish

Overview

1

Brass Numeral
illustrated

2

General dimensions of
Brass Numeral

3

1x 17mm
starter screw

4

2x 19mm
Brass screw

M Marcus Ltd., Dudley

Product Code

C1560 6

Material

Solid Brass

Sizes shown are in mm and approximate.
We reserve the right to amend where
necessary and without any prior notice.