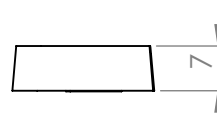
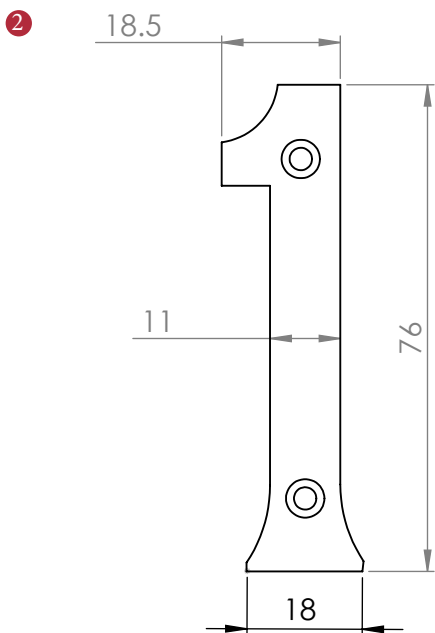


C1560 1 3" NUMERAL SCREW FIXING



1

2 Dimensions: see the outlines given above

3



Steel starter screw x 1pc.
Drill pilot holes, use the starter screw to cut a thread

4



2x Brass wood Screw
Fasten the Brass Screw into the Pilot hole

FINISHES

- ME** Matt Bronze finish
- SB** Satin Brass finish
- PN** Polished Nickel finish
- SN** Satin Nickel finish
- AT** Antique Brass finish
- SC** Satin Chrome finish
- PE** Polished Brass finish
- PC** Polished Chrome finish

Overview

1

Brass Numeral illustrated

2

General dimensions of Brass Numeral

3

1x 17mm starter screw

4

2x 19mm Brass screw

M Marcus Ltd., Dudley

Product Code

C1560 1

Material

Solid Brass

Sizes shown are in mm and approximate. We reserve the right to amend where necessary and without any prior notice.