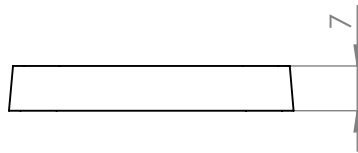
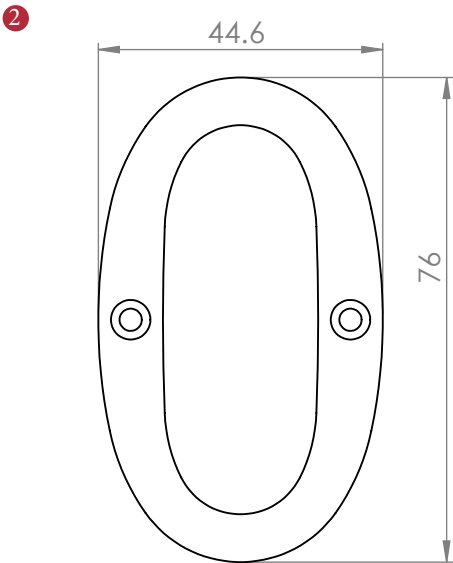


C1560 0 3" NUMERAL SCREW FIXING



2 Dimensions: see the outlines given above

3 Steel starter screw x 1pc.
Drill pilot holes, use the starter screw to cut a thread

4 2x Brass wood Screw
Fasten the Brass Screw into the Pilot hole

FINISHES

- ME Matt Bronze finish
- SB Satin Brass finish
- PN Polished Nickel finish
- SN Satin Nickel finish
- AT Antique Brass finish
- SC Satin Chrome finish
- PE Polished Brass finish
- PC Polished Chrome finish

| | | | | |
|----------|-----------------------------|---------------------------------------|-------------------------|-----------------------|
| Overview | 1 Brass Numeral illustrated | 2 General dimensions of Brass Numeral | 3 1x 17mm starter screw | 4 2x 19mm Brass screw |
|----------|-----------------------------|---------------------------------------|-------------------------|-----------------------|

 M Marcus Ltd., Dudley

| | | |
|--------------|-------------|---|
| Product Code | Material | Sizes shown are in mm and approximate. We reserve the right to amend where necessary and without any prior notice. |
| C1560 0 | Solid Brass | |